

CONTACT DATA

Company:

Contact:

Street: House no:

Postcode: Town:

Telephone: Fax:

E-mail:

Would you like a return call? Yes Would you like to receive our complete catalogue? Yes

TECHNICAL DATA

Form:

Required lift (H): mm

Compression dimension (L_{min}): mm

Pullout (L_{max}): mm

Traversing speed (V): m/min

Acceleration (a): m/s^2

Bed width (B): mm

Cover width (A_b): mm

Cover leg height (A_s): mm

Cover height above track (A_h): mm

Side projection of cover (A_e): mm

Inclination (a): °

Accessible at standstill (approx. 80 kg): Yes No

Axis: X Y Z

Working conditions: Wet Dry
 Mixer processing

Lubricant:

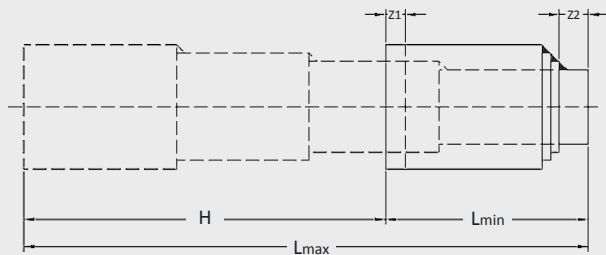
Swarf type:

Material: Steel Cr-Ni steel
 Other

Projection of large cover (Z1): mm

Protrusion of small cover (Z2): mm

Traverse direction: horizontal vertical
 crossbeam inclined



EQUIPMENT

Scraper type: Brass Plastic Other

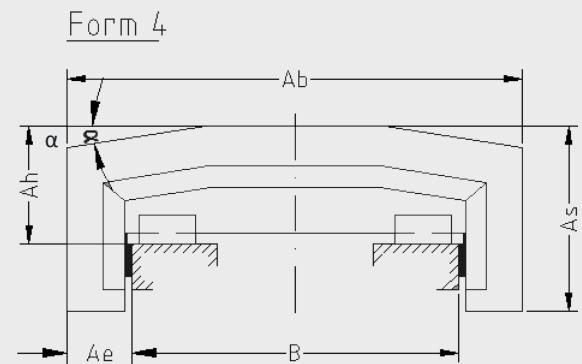
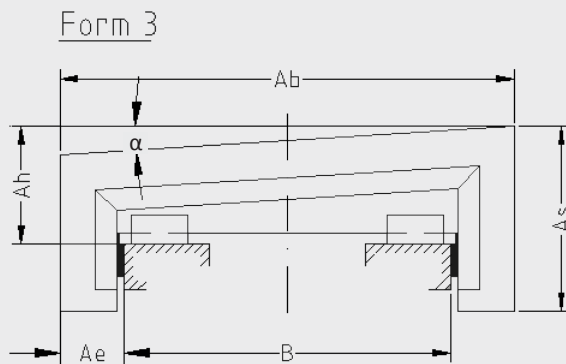
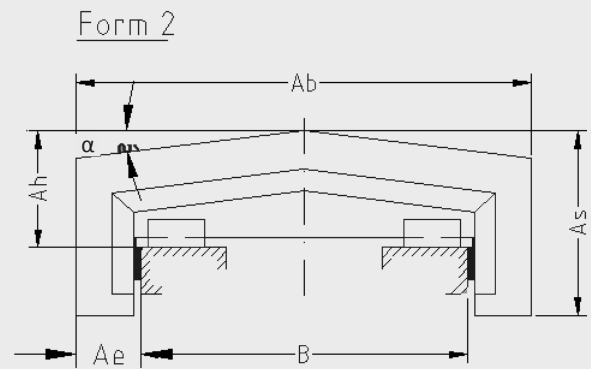
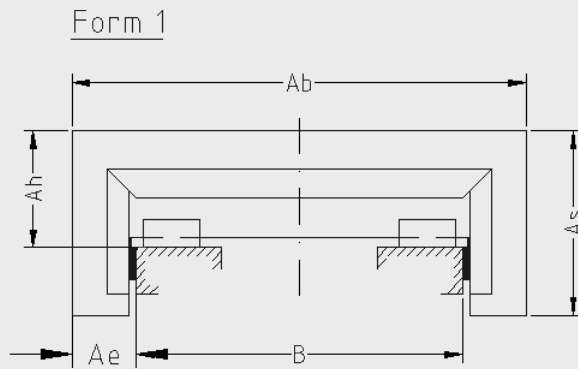
Slide: Brass slide Plastic slide

Supporting rollers: Steel Plastic

Suspension device:

Viewing opening:

Interior water channel:



Note:

The shapes shown here only represent a few of our standard telescopic cover shapes.

Your contact for telescopic covers

Mr Bruno Götzen

Telephone: 0 21 66 - 96 490 - 37

E-mail: b.goetzen@hcr.de

Mr Ralf Weber

Telephone: 0 21 66 - 96 490 - 13

E-mail: r.weber@hcr.de

Your contact for machine covers

Mr Karl-Hans Wirtz

Telephone: 0 21 66 - 96 490 - 22

E-mail: k.wirtz@hcr.de

Mr Thomas Kretzschmar

Telephone: 0 21 66 - 96 490 - 16

E-mail: t.kretzschmar@hcr.de



HCR Heinrich Cremer GmbH

P.O. Box 30 01 39
D-41191 Mönchengladbach

Oppelner Straße 37
D-41199 Mönchengladbach (Güdderath)

Telephone (02166) 9 64 90 - 0

Fax (02166) 9 64 90 - 53

E-mail info@hcr.de

Web www.hcr.de